

LS-VP4000E



Product Feature

LS-VP4000E LED Video Processor , has 5 channels of video input, 3 channels of video output. Which can be widely used in engineering , rental performance ,irregular/large LED display screen/mixed LED display(different spacing),large stage theater,display and exhibition, etc.

Multiple video interface:

Input HDMI,DVI,1xVGA,2xCVBS;Output 2xDVI,VGA;

Seamless switching/Fade-in-fade-out:

Pictures from 2 channels can be switched seamless, also can be fade-in-fade-out

Multiple output resolution :

Many resolution can be selected (Max.2304x1152@60Hz) and user-defined resolution

2.65 million pixels supported:

Max.height can be 3840pixels, max. vertical can be 1920pixels

Preset storage and recall:

Can switch to the saved scene quickly

Chroma Key :

Cut part image from one video ,then put it on another video, for example image overlapped

Support picture in picture (PIP) :

The size and location of the 2 pictures can be adjustable

Powerful Splicing function :

Perfectly splicing,support Uniform and not uniform splicing, support 10X10 video processors to splicing

User-defined input resolution :

Can perfectly realize the PC to LED screen point to point display

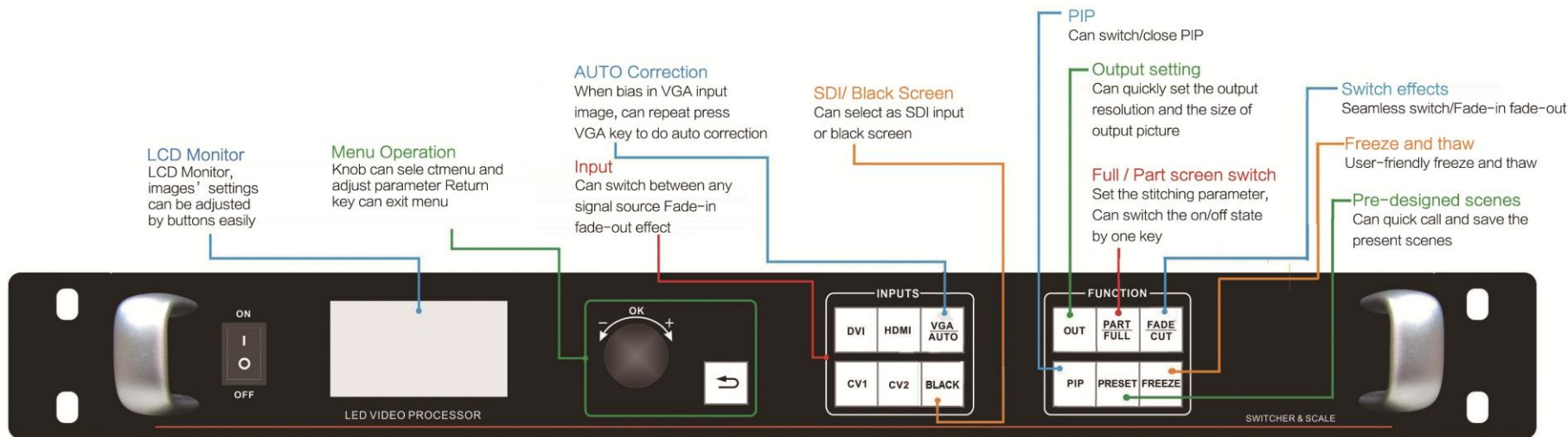
Support project lock settings :

To avoid the wrong operation

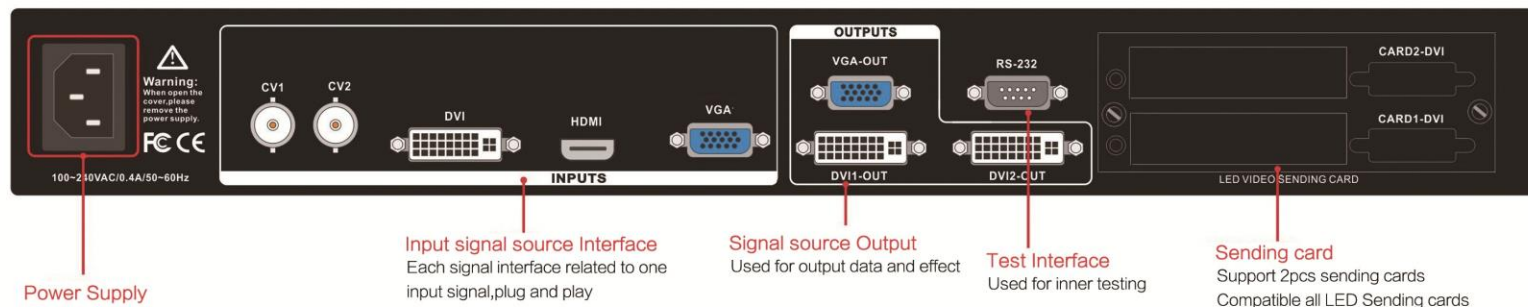
Short key settings :

Black output/Normal output,Freeze, Part/Full Screen

Panel Function



Face



Back

Specifications

DVI Inputs

Quantity	1
Connector	DVI-I
Signal Standard	DVI1.0, HDMI1.3 Backward compatible
Supported resolutions	VESA, PC to 1920x1200, HD to 1080p

HDMI Inputs

Quantity	1
Connector	HDMI-A
Signal Standard	HDMI1.3 Backward compatible
Supported resolutions	VESA, PC to 1920x1200, HD to 1080p

VGA Inputs

Quantity	1
Connector	DB15
Signal Standard	R、G、B、Hsync、Vsync:0 to1Vpp±3dB (0.7V Video+0.3v Sync) 75 ohm black level: 300mV Sync-tip: 0V
Supported resolutions	VESA, PC to 1920x1200

CVBS (Video) Inputs

Quantity	2
Connector	BNC
Signal Standard	PAL/NTSC 1Vpp±3db (0.7V Video+0.3v Sync) 75 ohm
Supported resolutions	480i,576i

DVI/VGA Outputs

Quantity	2 DVI、1VGA	
Connector	DVI-I、DB15	
Signal Standard	DVI: DVI1.0 VGA: VESA	
Resolutions	1024x768@60Hz	
	1280x720@60Hz	
	1280x1024@60Hz	1920x1080@60Hz
	1440x900@60Hz	Custom Resolution
	1600x1200@60Hz	
	1680x1050@60Hz	

Whole machine

N.W	3.5kg
Size (mm)	Case size: (LWH) 253x440x56
	Packing size: LWH =520x130x355
Power Supply	100VAC – 240VAC 50/60Hz
Maximum power	18W
Temperature	0°C~45°C
Storage humidity	10%~90%